

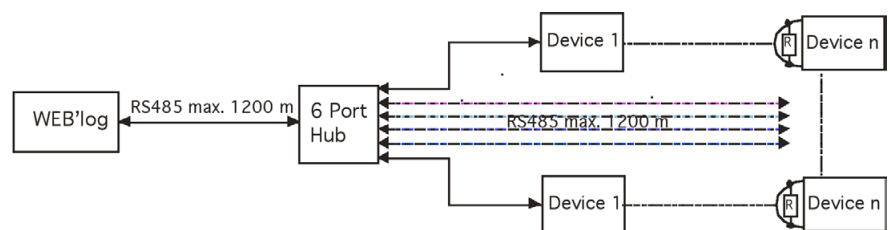
# 6-PORT RS485 HUB

Article no.: 421.635



## FUNCTIONAL DESCRIPTION

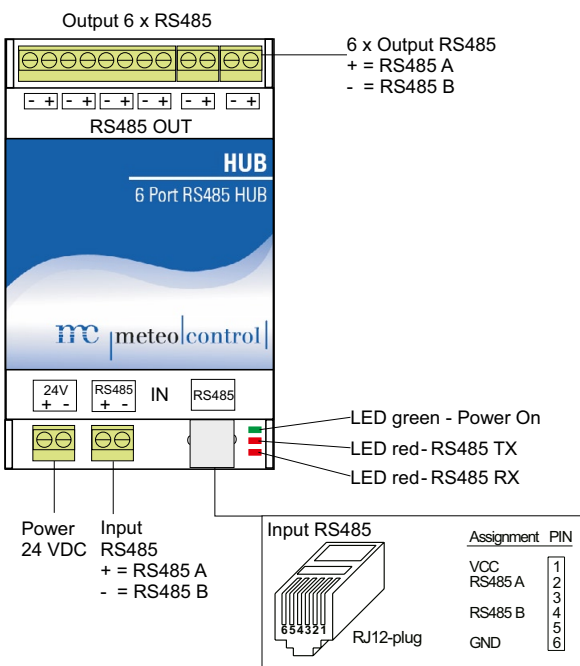
The 6-port RS485 hub enables a star-shaped RS485 network to be set up. It has an RS485 input channel and six RS485 output channels. Since each output channel has its own line driver, an RS485 branch with a maximum length of 1,200 meters can be connected to each output. The hub can also be used as a repeater. The input and outputs are galvanically isolated. The RS485 hub is easy to mount on DIN top-hat rails and must be supplied with a direct voltage of 24 V.



## TECHNICAL DATA

Input:	1 x RS485 two-wire, RS485 A and RS485 B
Output:	6 x RS485 two-wire, RS485 A and RS485 B
Power supply:	DC: 24 V
Power consumption:	Max. 2 W
Bus termination:	Integrated (cannot be disabled)
Protection class:	IP 20
Ambient temperature:	0°C to 55°C
Dimensions:	52 mm x 58 mm x 90 mm (WxHxD)
Weight:	90 g (approx.)

VIEW



LED functions:

<b>Green</b>	<b>Power on</b>
Lit:	Ready for operation
<b>Red</b>	<b>RS485 TX</b>
Flashing:	TX transmission signal
Lit:	RS485 A/B at input exchanged
<b>Red</b>	<b>RS485 RX</b>
Flashing:	RX reception signal
Lit:	RS485 A/B at input exchanged