

PT1000 SENSOR

with integrated converter

Article no.: 423.212



FUNCTIONAL DESCRIPTION

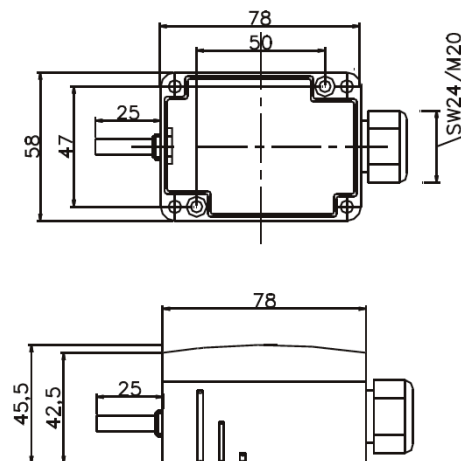
The sensor measures the ambient temperature using a PT1000 measuring resistance. Temperatures between -50 and 50°C are converted to voltage values between 0 and 10 V.

TECHNICAL DATA

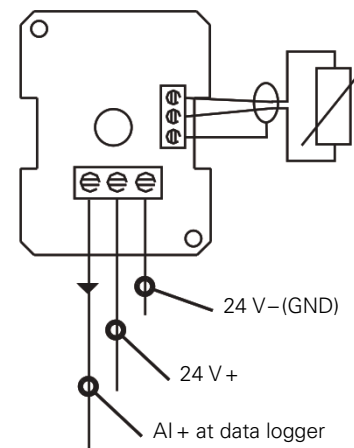
Measurement range:	-50 to 50°C
Power supply:	DC: 15 to 24 V, or AC: 24 V
Current consumption:	DC: max. 12 mA at 24 V
Output:	0 to 10 V, min. load $5\text{ k}\Omega$
Connection terminal:	Spring clip, max. 1.5 mm^2
Protection class:	IP 65

CASING DIMENSIONS AND TERMINAL ASSIGNMENT

Dimensions in millimeters:



Connection (3-wire circuitry):



This terminal assignment applies only if the sensor is supplied by the integrated power unit of the data logger since AI- and GND 24 V are jumpered internally.